

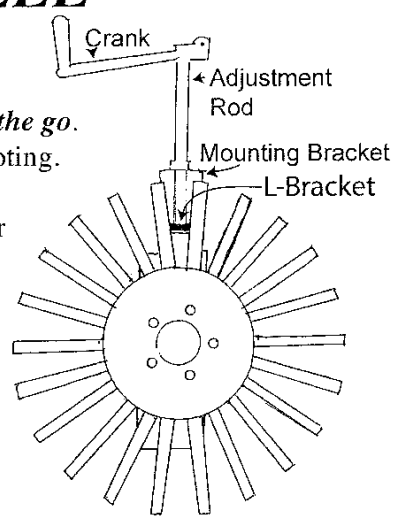
PLT 350

EASY GRADE DEPTH GAUGE WHEEL

Easy Grade rolling depth gauge Wheels accurately measure horse footing, *on the go*. This unique device can be mounted to any box blade to achieve a consistent footing.

The Easy Grade attachment is very user friendly for any equestrian rider, owner and/or maintenance personnel. A tractor with a 3-point hitch, and box blade with a rolling depth gauge, can keep footing sufficiently measured for maximum resilience.

Capitalize on performance by training in an arena with consistent footing while protecting the safety and health of the horse and rider.



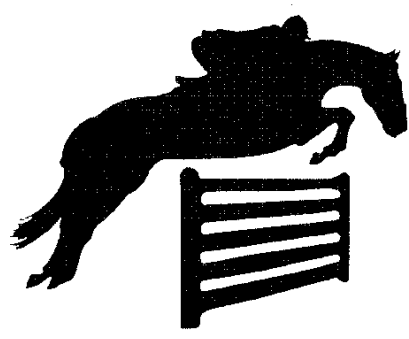
EASY GRADE DEPTH GAUGE WHEEL

Is your footing uneven or do you have difficulty maintaining a uniform footing?

The Easy Grade rolling depth gauge wheel concept is a 1~2~3 process.

1. Attach the device to both ends of any box blade that will mount to the 3-point hitch of a farm tractor.
2. Using the measurement guide on the attachment, adjust the wheels to the desired footing depth with the attached hand crank. The distance from the cutting edge of the box blade, to the end of fingers on wheels, equals the depth of the footing.
3. Grade off excess, or add footing as needed, to achieve your desired depth. Proper maintenance requires arenas to be periodically re-graded. Over time the footing gets displaced due to horse traffic, weather (outdoor arenas) and arena grooming equipment.

Easy Grade is the solution!



Easley Excavating LLC
 Paris, Kentucky
 www.easleyexcavating.com
 email: dan@easleyexcavating.com
 phone: 859-707-8212

